

Preparing for A Level DT

Year 11 as part of your preparation for A level Design and Technology I have listed a range of tasks and activities you could undertake to support your learning.

Some activities are specific to either Product Design or Fashion Textiles some are core topics.

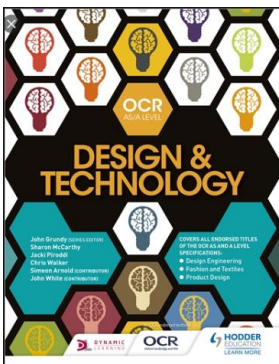
Things to watch on TV or to Stream

BBC1 & Iplayer – Sewing Bee is essential viewing for Fashion Textiles students.

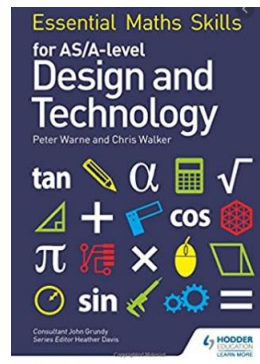
BBC & Iplayer – Inside the factory - Several shows relevant to both areas, PD look for the Pots and pans episode (Series 5) and FT Wax jackets (Series 5).

BBC2 and Iplayer – The customer is Always right lots of episodes about testing product ideas with consumers. PD and FT.

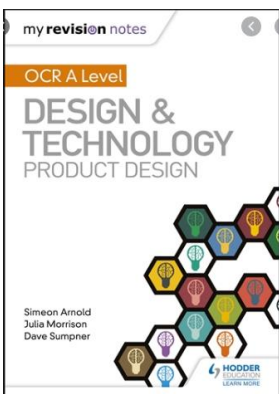
Things to research or read



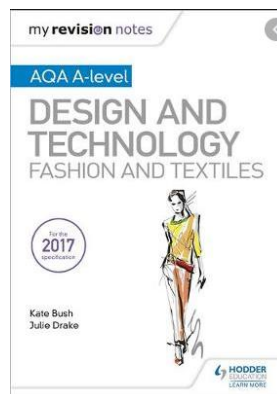
The course textbook which you will need to purchase. You will be reminded in September. For Product Design and Fashion Textiles.



The course Maths guide for Product Design and Fashion.



The course revision guide for Product Design, You will be reminded in September.



The course revision guide for Fashion Textiles, You will be reminded in September. Don't worry that it says AQA content is similar.

You might get good deals online 2nd hand as the current cohort have now finished??

1. Skills and expanding your knowledge

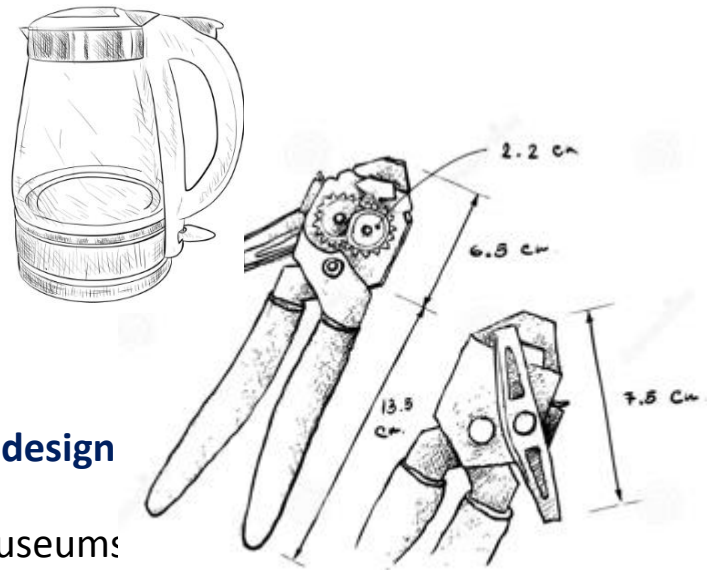
Keep sketching and building skills by producing quick 3D sketches.



Fashion textiles print off some body shapes online and practise sketching designs, or replicate garments you own.

If you google fashion illustration find a style you like and have a go your self.

Choose simple products at home such as tin openers and kettles and sketch. Show how things meet and join and work.



2. Researching the wider world of design

Visit the websites for key design museums:

Victoria and Albert - <https://www.vam.ac.uk/>

The Design Museum - <https://designmuseum.org/>

Fashion and Textile Museum - <https://www.ftmlondon.org/>

Currently virtual tours but maybe they will open again later this year?

Find out about the lives and work of.....

Product Design

Ettore Sottsass
Mario Bellini
Ron Arad
Dieter Rams
Michael Graves
Phillipe Starck
James Dyson
Jonathan Ives
Margaret Calvert

Fashion Textiles

Lucienne Day
Charles Worth
Coco Chanel
Madeleine Vionet
Claire McCardell
Yves Saint Laurent
Mary Quant
Roy Halston Frowick

In September hand in a single slide on a ppt showing your research into one of the designers on the list. Include why you chose them and which aspects of their work inspires you. Include images and text.